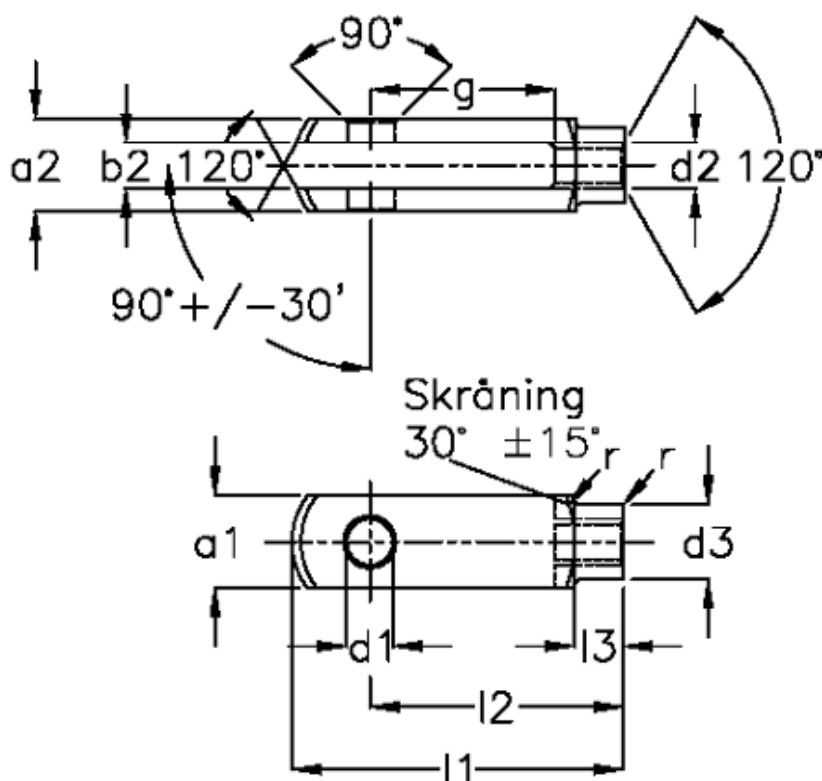


Article number: 140532040151

Description: KLEE St. steel Fork joint G 20x40
M20x1,5, right

Measures



a1 (h11)	= 40	g (+/-0.5)	= 40
a2	= 40 (+0,5 -0,2)	l1 (+/-0.5)	= 105
b1 (B13)	= 20	l2	= 80 (-0,4)
b2	= 20 (+0,85)	l3	= 30
d1 H9	= 20	r	= 1.5
d2	= M 20 x 1,5	Size	= G 20 x 40FG*
d3 (+/-0.3)	= 34	Weight	= 0.550
f (+/-0.2)	= 1.0		